

Accessories





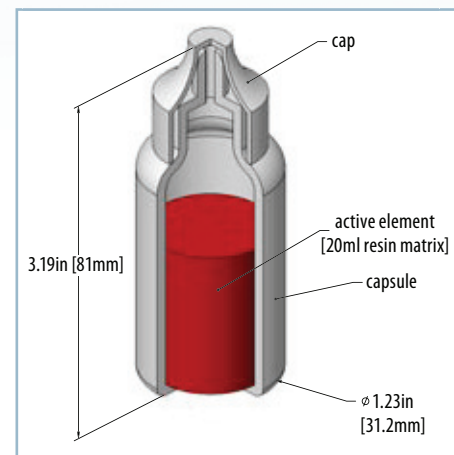
Accessories

Dose Calibrator Reference Standards (RV or E Vial) (SS&DR No. CA0406S148S)

Dose Calibrator Reference Sources provide a safe and convenient method of calibrating instruments for measuring the accuracy of imaging solutions most commonly utilized by medical technicians. The Dose Calibrator Vial is manufactured by distributing the active element in 20 mL of epoxy, comprising a density of approximately 1.0 g/cm³. Each standard is supplied in a 27 mL polyethylene vial. Calibration is in terms of activity contained in an aqueous solution. NIST traceable within ±5% at the 99% confidence level.

Product Code	Nuclide	Activity (mCi)	Activity(MBq)
RV-057-5M	Co-57	5	185
RV-057-10M	Co-57	10	370
RV-137-200U	Cs-137	0.200	7.4
RV-137-250U	Cs-137	0.250	9.25
RV-133-250U	Ba-133	0.250	9.25
RV-SET	Co-57, Cs-137, Ba-133	5, 0.200, 0.250	185, 7.4, 9.25
RV-SET-1	Co-57, Co-60, Cs-137, Ba-133	5, 0.050, 0.200, 0.250	185, 1.85, 7.4, 9.25
RV-SET-2	Co-57, Co-60, Cs-137	5, 0.050, 0.200	185, 1.85, 7.4
RV-060-50U	Co-60	0.050	1.85

Other nuclides, activities, and geometries are available upon request.



Dose Calibrator
Reference Source

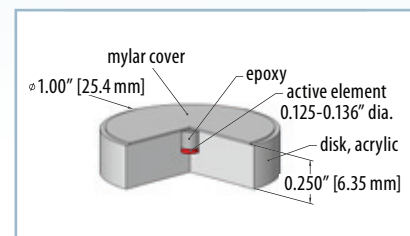


Spot Markers (SM-057) (SS&DR No. CA0406S106S)

EZIP's Spot Markers are used for patient orientation during SPECT studies. A 0.136" (3.45 mm) diameter active area is marked with purple epoxy and centered in a 1" x 0.250" (25.4 mm x 6.35 mm) clear acrylic disk. Contained activity is supplied as a nominal value $\pm 15\%$.

Model Number	Nuclide	Activity (μCi)	Activity (MBq)
SM-057-25U	Co-57	25	0.925
SM-057-50U	Co-57	50	1.85
SM-057-100U	Co-57	100	3.7
SM-057-200U	Co-57	200	7.4

Other activities and nuclides are available upon request.



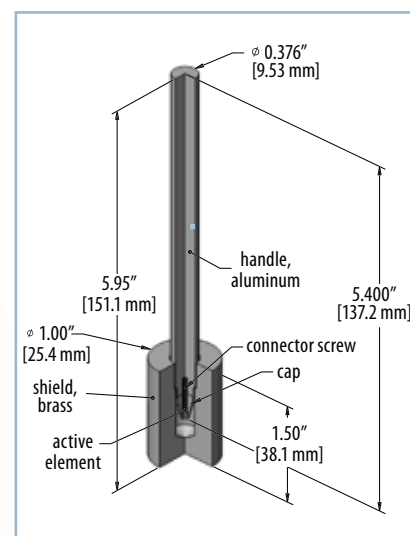
Spot Marker

Pen Point Markers (PP-057) (SS&DR No. CA0406S173S)

The EZIP Pen Point Marker is used to mark a point or region of interest during SPECT studies. The Pen Point Marker contains Co-57 in a resin matrix at the end of a 5.4" (13.7 cm) anodized aluminum rod. The pen-shaped rod screws into a brass cap which shields the active point. The Pen Point Marker is used in tracing the outlines of anatomical features on a patient. The trace appears almost instantly on the image display. Contained activity is supplied as a nominal value $\pm 15\%$.

Model Number	Nuclide	Activity (μCi)	Activity (MBq)
PP-057-100U	Co-57	100	3.7
PP-057-200U	Co-57	200	7.4

Other activities are available upon request.

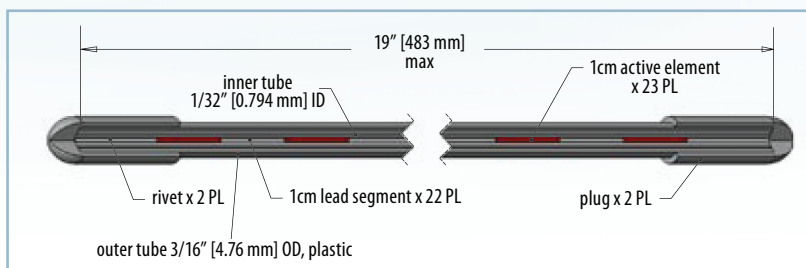


Pen Point Marker



Flexible Rulers (FR-057) (SS&DR No. CA0406S171S)

Radioactive rulers and markers are used to define anatomical locations and/or organ size during a SPECT study. The Flexible Ruler is a plastic tube 0.19" (4.8 mm) in diameter containing 45 alternating 0.394" (10 mm) sections of Co-57 and inactive lead. The overall length of the ruler is 19" (48 cm) with an active length of 17.7" (45 cm). Contained activity is supplied as a nominal value $\pm 15\%$.



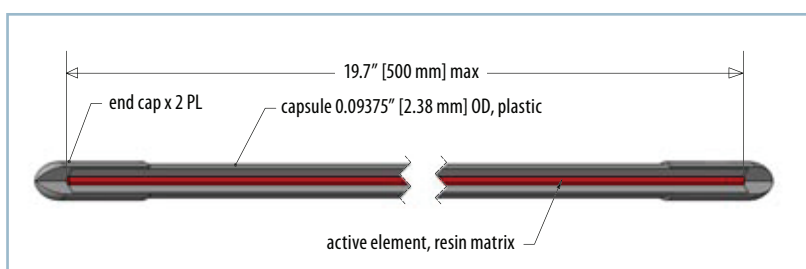
Flexible Ruler

Model Number	Nuclide	Activity (μCi)	Activity (MBq)
FR-057-460U	Co-57	460	17.02

Other activities are available upon request.

Flexible Markers (FM-057) (SS&DR No. CA0406S172S)

Co-57 uniformly dispersed in an epoxy matrix is injected into a 0.094" (2.4 mm) outer diameter flexible plastic tube having an inner diameter of 0.03" (0.79mm). The overall length is 19.7" (50 cm) and the active length of the ruler is 19.2" (48.7 cm). Contained activity is supplied as a nominal value $\pm 15\%$.



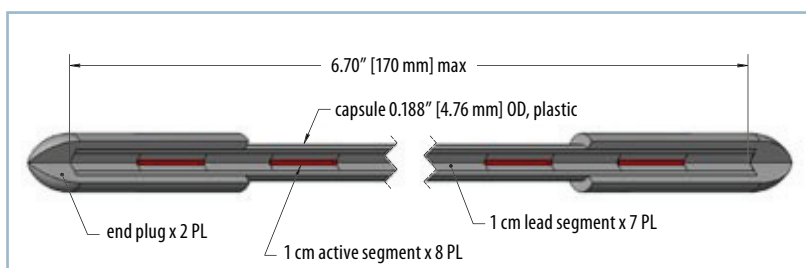
Flexible Marker

Model Number	Nuclide	Activity (μCi)	Activity (MBq)
FM-057-150U	Co-57	150	5.55

Other activities are available upon request.

Rigid Rulers (RR-057) (SS&DR No. CA0406S170S)

The Rigid Ruler is a plastic tube 0.197" (5 mm) in diameter containing 15 alternating 0.394" (10mm) sections of Co-57 and inactive lead. The overall length of the ruler is 6.7" (17 cm) with an active length of 5.91" (15 cm). Contained activity is supplied as a nominal value $\pm 15\%$.



Rigid Ruler

Model Number	Nuclide	Activity (μCi)	Activity (MBq)
RR-057-160U	Co-57	160	5.92

Other activities are available upon request.

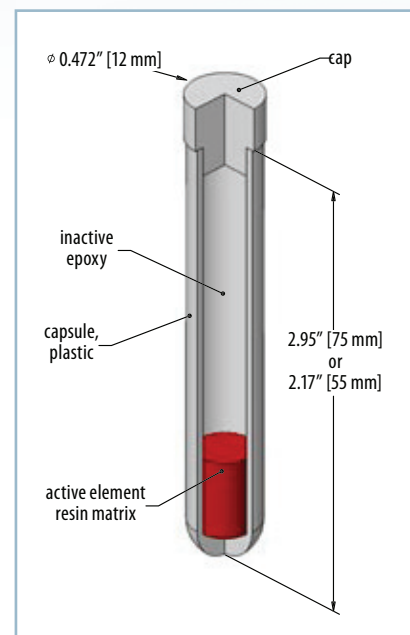
Gamma Tube Standards (SS&DR No. CA0406S149S)

Each source consists of a polypropylene test tube containing 0.75 mL of active epoxy with the balance of the test tube filled with cold epoxy. Each set contains Ba-133, Cs-137, Co-57, Co-60, Cd-109, Mn-54, and Na-22. Test tube sizes available: **T1** 2.17" x 0.472" (55 mm x 12 mm) OR **T2** 2.95" x 0.472" (75 mm x 12 mm) A variety of other nuclides and tube sizes are available upon request. Customer-supplied tubes can be utilized upon request. Tube sources are calibrated as NIST traceable with an accuracy of ±5% at the 99% confidence level.

Product Code	Activity (µCi)	Activity (kBq)
GF-290- (T1 or T2)	0.1 or 1.0	3.7 or 37

Other activities are available upon request.

Test tube standards may also be purchased individually.



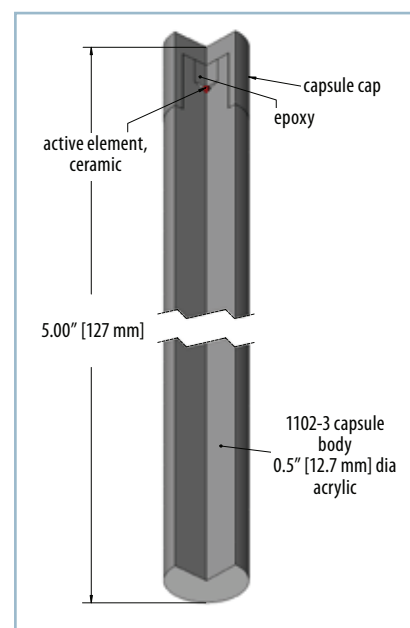
Gamma Tube Standards

Well Counter (Rod) Standards (SS&DR No. CA0406S107S)

Each source consists of a lucite rod measuring **R2** 5" x 0.5" (127 mm x 12.7 mm) or **R3** 2.95" x 0.5" (74.9 mm x 12.7 mm). The activity is located in a 0.187" x 0.187" (4.75 mm x 4.75 mm) well, positioned approximately 0.250" (6.35 mm) from the top of the rod. *Set includes Ba-133, Cs-137, Co-57, Co-60, Cd-109, Mn-54, and Na-22. Rod sources are calibrated as NIST traceable with an accuracy of ±5% at the 99% confidence level.

Product Code	Nuclide	Inches	mm	Activity (µCi)	Activity (kBq)
GF-0012	Co-57	2.95	74.9	0.1	3.7
GF-0208	Co-57	2.95	74.9	1	37
GF-0014	Cs-137	2.95	74.9	0.1	3.7
GF-0209	Cs-137	2.95	74.9	1	37
GF-0206	Cs-137	5	127	0.1	3.7
GF-0210	Co-57	5	127	1	37
GF-0207	Co-57	5	127	0.1	3.7
GF-0211	Cs-137	5	127	1	37
GF-290- (R2 or R3)	SET*	5	127	0.1 or 1.0	3.7 or 37
GF-0235	Ba-133	2.95	74.9	0.1	3.7
GF-0239	Ba-133	5	127	0.1	3.7

Other nuclides, activities and geometries are available upon request.



Well Counter Standards