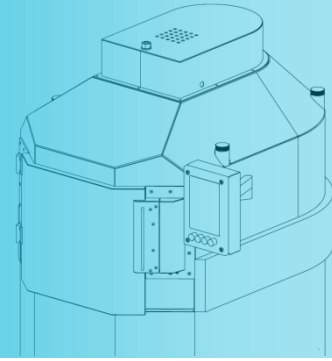


OB-SERVO SERIES

SANGUIS



The **Ob-Servo SANGUIS** type irradiator is a Category I, a self-contained, dry source storage facility. The irradiator in which the sealed source is completely enclosed in a dry container is constructed of solid materials and is shielded at all times. Human access to the sealed source and the volume undergoing irradiation is not physically possible in the designed configuration. The shielding of the irradiator is made of lead, steel and tungsten. Application: The irradiator is a Research equipment to be utilised mainly for irradiation of medical products or other research goods with maximum 13 litre volume.



▶ CONTROL SYSTEM

The irradiator incorporates a supervision and control system for the visualisation, control, recording and storage of operational parameters. This system also includes the timer. The system incorporates the necessary features to allow the checking and calibration of the radiation field produced and calibration of a suitable dosimetry system.

▶ OPERATION

The sources are placed in a special drawer. The rotator unit positions the sample holder canister into the centre of the irradiator. An attenuator unit rotates the drawer with the sources to the adjusted attenuation rate. During irradiation the temperature can be decreased with a cooling system and the sample holder canister can be rotated to enhance the homogeneity of the irradiation field. The operation of the irradiation is accomplished by a PLC system.

▶ LOADING

Ob-Servo Series Irradiators can be loaded from licensed B(U) type transport container on the spot





TECHNICAL DETAILS

OB-SERVO SANGUIS

Source Details

Sealed Source	Co-60
Maximum Activity	444 TBq (12 kCi)
Source Type	CoS-44HH-N CoS-45HH CoS-57HH
Source Dimensions	Ø11 x 220 mm Ø11 x 81.5 mm Ø23.5 x 36.5 mm
Source Cage Type	Cylindrical
Source Cage Capacity	8 pcs

Radiation Details

Maximum Central Dose Rate	2.5 kGy/h
Attenuation Rate	From 1:1 to 1:100 (Continuously Variable)

Maximum External Dose Rate
(5 cm from surface)

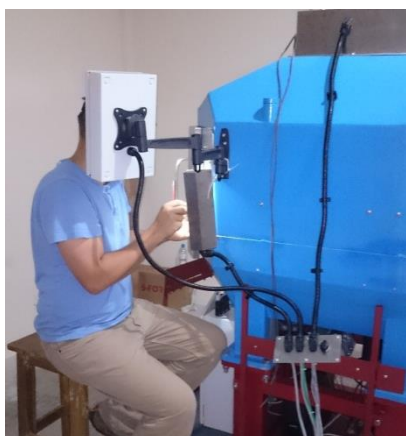
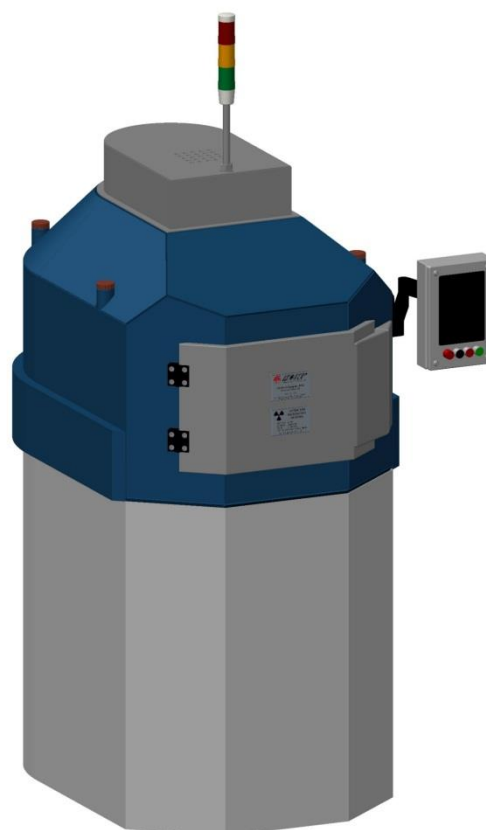
25 µSv/h

Product Configurations

Canister Volume	13 litre
Canister Dimensions (Inside)	Ø250 x 270 mm

Irradiator Dimensions

Height x Width x Depth	1.8 x 1.2 x 1.6 m
Floor Loading Area	1.1 m ²
Total weight	7500 kg



▶ Design and Installing

▶ Service, maintenance, upgrade
We can undertake mechanical or electrical upgrade, offer regular maintenance and various services.

▶ Technical support
We provide full technical support, please contact our experts at: sute@izotop.hu

INSTITUTE OF ISOTOPES Co., LTD.

Konkoly-Thege Miklós út 29-33., H-1121 Budapest,
sources@izotop.hu | www.izotop.hu

