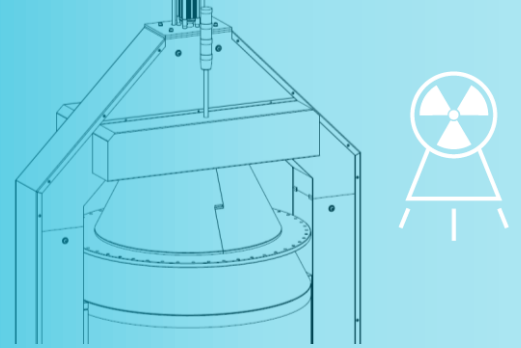


OB-SERVO SERIES

IGNIS



The **Ob-Servo IGNIS** type irradiator is a self-contained, dry source storage **Category I**. equipment, providing an ideal solution for irradiation of medical products or other research where the sealed Co-60 sources are shielded at all times. The biological shielding of the irradiator is made from lead, tungsten and steel.

The Ob-Servo Ignis is utilized **mainly for high dose research purposes** with a maximum 5 liter volume

Other applications: materials for research and development of radiation technology (R&D) and small-scale (medical devices, blood treatment, food irradiation etc.) irradiation process. SIT (Sterile Insect Technique) is also possible with the unit in case of lower loaded activity.



▶ CONTROL SYSTEM

The irradiator is powered by UPS network and operated by a touch-screen terminal. The terminal provides user friendly interface with collapsible windows, it has an internal storage for the recording and string the definite number of settings, operating parameters and error codes. The access of the personnel to the control system is secured by a standard access procedure.

▶ OPERATION

The samples to be irradiated are placed into a stainless-steel sample holder vessel (size: $\varnothing 150 \times 280$ mm) which is positioned between the moving central plugs.

▶ LOADING

The main advantage is that the Ob-Servo IGNIS can be loaded from licensed type B(U) transport container on the spot. Additional source loading is also possible at the site with the above-mentioned process, so the decay of the Co-60 can be balanced time by time. After the recommended working life (~ 4 half-lives) the old sources can be easily unloaded or exchanged with new ones.





TECHNICAL DETAILS

OB-SERVO IGNIS

Source Details

Sealed Source	Co-60
Maximum Activity	888 TBq (24 kCi)
Source Type	CoS-44HH-N
Source Dimensions	Ø11 x 220 mm
Source Cage Type	Cylindrical
Source Cage Capacity	48 pcs

Radiation Details

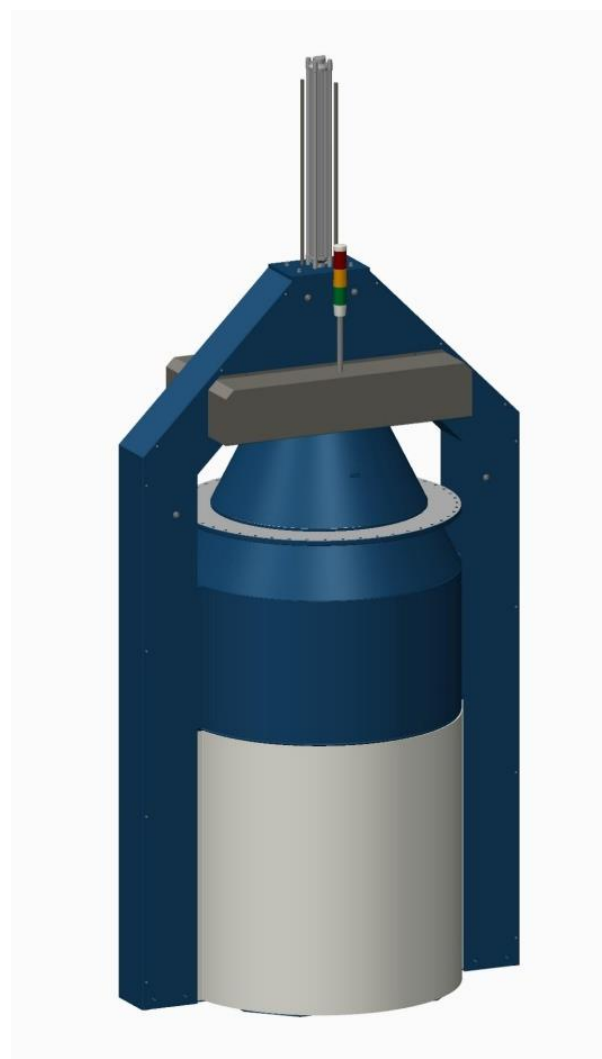
Maximum Central Dose Rate (with Maximum loaded activity)	10 kGy/h
Maximum External Dose Rate (5 cm from surface)	25 µSv/h

Product Configurations

Canister Volume	5 litre
Canister Dimensions (Inside)	Ø150 x 280 mm

Irradiator Dimensions

Height x Width x Depth	3.2 x 1.4 x 1 m
Floor Loading Area	1.4 m ²
Total weight	9000 kg



► Design and Installing

► Service, maintenance, upgrade
We can undertake mechanical or electrical upgrade, offer regular maintenance and various services.

► Technical support
We provide full technical support, please contact our experts at: sute@izotop.hu